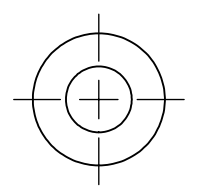
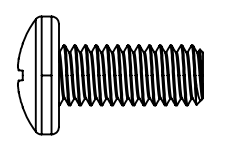


Revisions				
Rev.	Description	ECN	Date	By
A	RLS for Production	1214	7/29/2021	JWL

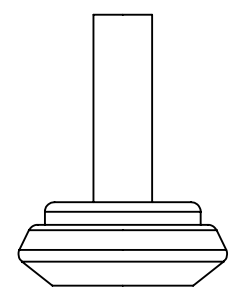
Approved - GRCC Engineering
ajohnson , 8/5/2021, 9:25:56 am



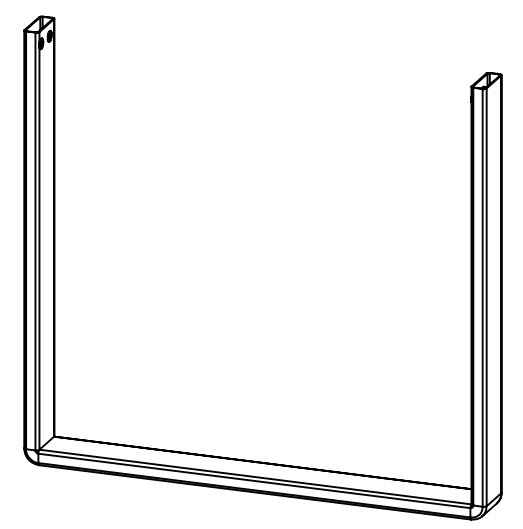
Bolt, 5/16-18 x 5/8", Pan Head, Phillips, Zinc (12x)



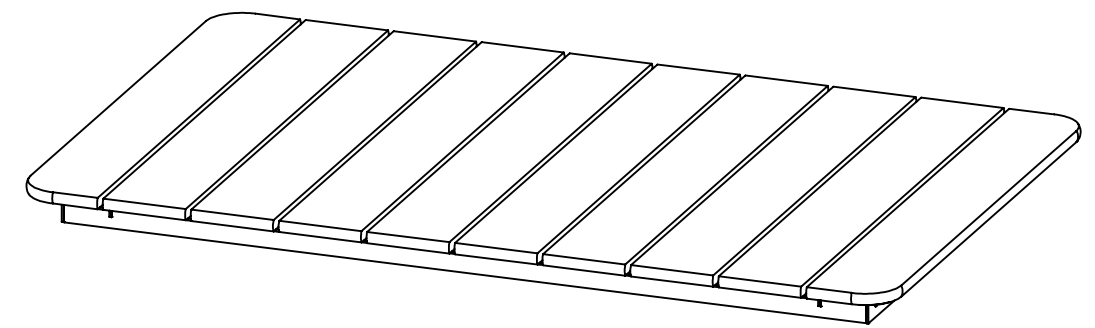
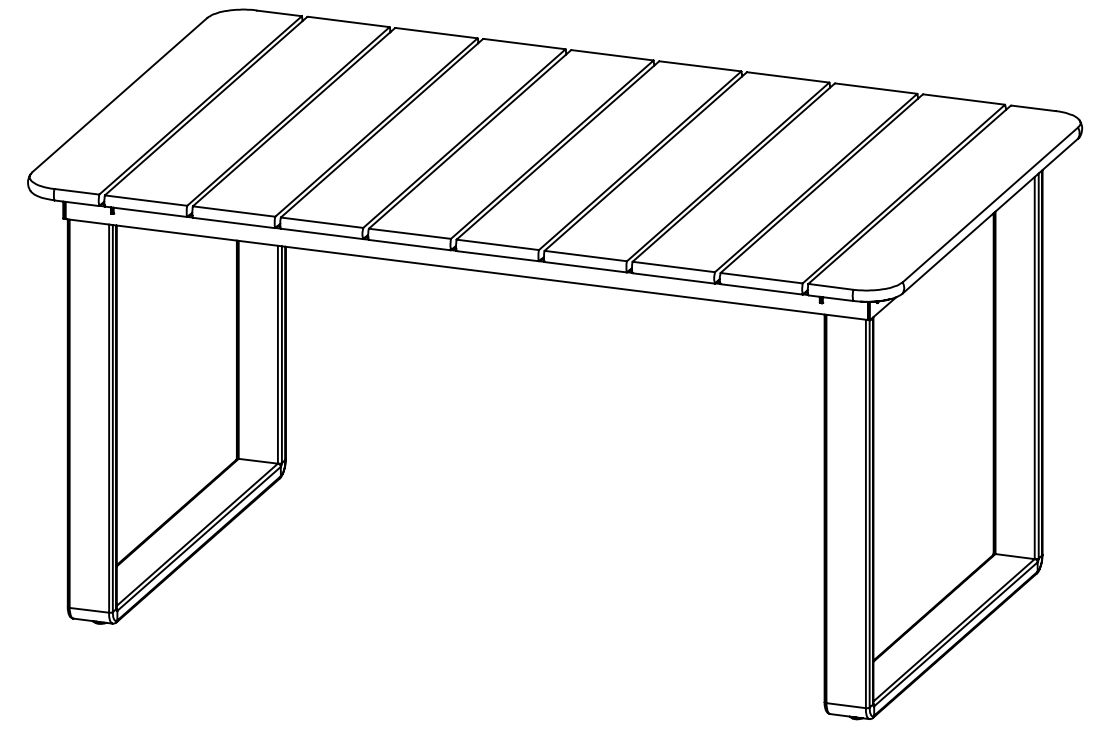
Washer, 0.688" OD, Black (12x)



Glide, 5/16-18, Stem, Black (4x)



Leg, Bowen, BWC (2x)



Top, Bowen, BWC (1x)

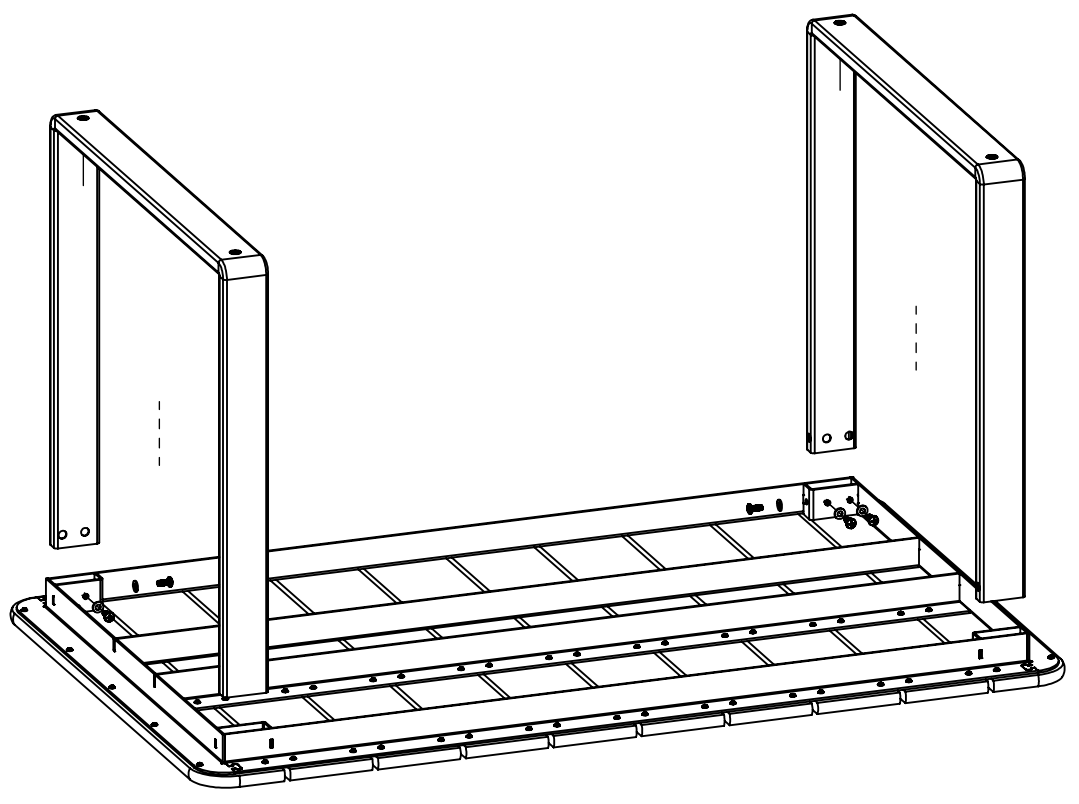
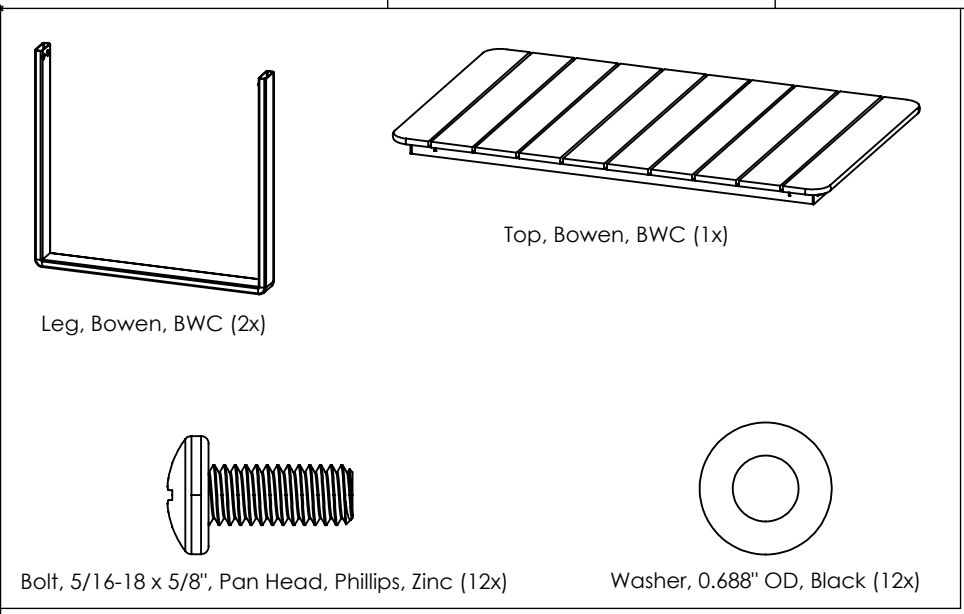
UNLESS OTHERWISE SPECIFIED:
DIMENSIONS ARE IN INCHES/
BRACKETS ARE IN MM.
TOLERANCES:
ANGULAR: ± 1°
ONE PLACE DECIMAL ± 1/16
TWO PLACE DECIMAL ± 1/32
THREE PLACE DECIMAL ± 1/64

PROPRIETARY AND CONFIDENTIAL
THE INFORMATION CONTAINED IN THIS
DRAWING IS THE SOLE PROPERTY OF
GRAND RAPIDS CHAIR CO. ANY
REPRODUCTION IN PART OR AS A
WHOLE WITHOUT THE WRITTEN
PERMISSION OF GRAND RAPIDS CHAIR
CO. IS PROHIBITED.

GRAND RAPIDS CHAIR CO 1250 84th Street, Grand Rapids MI, USA	
DWG By: JWL	DWG Date: 6/7/2021
Part Number: 040031	
Description: Assembly Instructions, Bowen, BWC, Dining Height Tables, No Umbrella	
Material: See Individual Prints	
Finish: See Individual Prints	
Type: M	Sheet: 1 of 4

LAST SAVED: j:\evngood\Thursday, July 29, 2021 4:30:24 PM; FILENAME: N:\Engineering\1. Product Data\2021 Bowen\Table\30 CAD Data\Bowen-Reg\B-01-28-21\1. Communal\1. Top-Level\Assemblies\040031. Assembly Instructions, Bowen, BWC, Dining Height Tables, No Umbrella Rev A, 20210729

Revisions				
Rev.	Description	ECN	Date	By
A	RLS for Production	1214	7/29/2021	JWL



GRAND RAPIDS CHAIR CO 1250 84th Street, Grand Rapids MI, USA		
DWG By: JWL	DWG Date: 6/7/2021	
Part Number: 040031		
Description: Assembly Instructions, Bowen, BWC, Dining Height Tables, No Umbrella		
Material: See Individual Prints		
Finish: See Individual Prints		
Type: M	Drawing No.: 040031	Sheet: Sheet 2 of 4

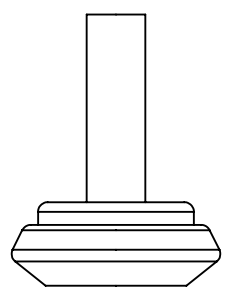
UNLESS OTHERWISE SPECIFIED:
 DIMENSIONS ARE IN INCHES/
 BRACKETS ARE IN MM.
 TOLERANCES:
 ANGULAR: ± 1°
 ONE PLACE DECIMAL ± 1/16
 TWO PLACE DECIMAL ± 1/32
 THREE PLACE DECIMAL ± 1/64

PROPRIETARY AND CONFIDENTIAL
 THE INFORMATION CONTAINED IN THIS
 DRAWING IS THE SOLE PROPERTY OF
 GRAND RAPIDS CHAIR CO. ANY
 REPRODUCTION IN PART OR AS A
 WHOLE WITHOUT THE WRITTEN
 PERMISSION OF GRAND RAPIDS CHAIR
 CO. IS PROHIBITED.

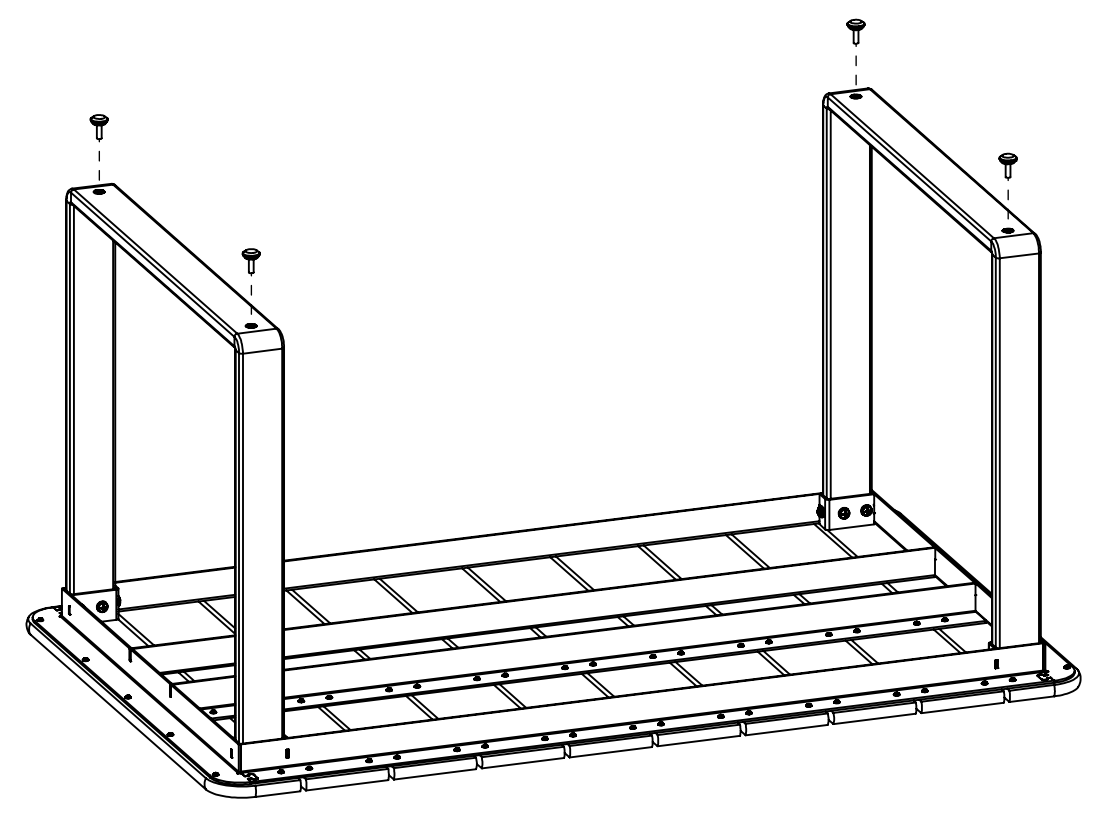
1.

LAST SAVED: jwengood Thursday, July 29, 2021 4:30:24 PM; FILENAME: N:\Engineering\1. Product Data\2021 Bowen\Table\30 CAD Data\Bowen-Rev\B-01-28-21\1. Communal\1. Top-Level\Assemblies\040031. Assembly Instructions, Bowen, BWC, Dining Height Tables, No Umbrella Rev A 20210729

Revisions				
Rev.	Description	ECN	Date	By
A	RLS for Production	1214	7/29/2021	JWL



Glide, 5/16-18, Stem, Black (4x)



GRAND RAPIDS CHAIR CO
1250 84th Street, Grand Rapids MI, USA

DWG By: JWL DWG Date: 6/7/2021

Part Number: 040031

Description:
Assembly Instructions, Bowen, BWC, Dining Height Tables,
No Umbrella

Material: See Individual Prints

Finish: See Individual Prints

Type: M Drawing No.: 040031 Sheet: 3 of 4

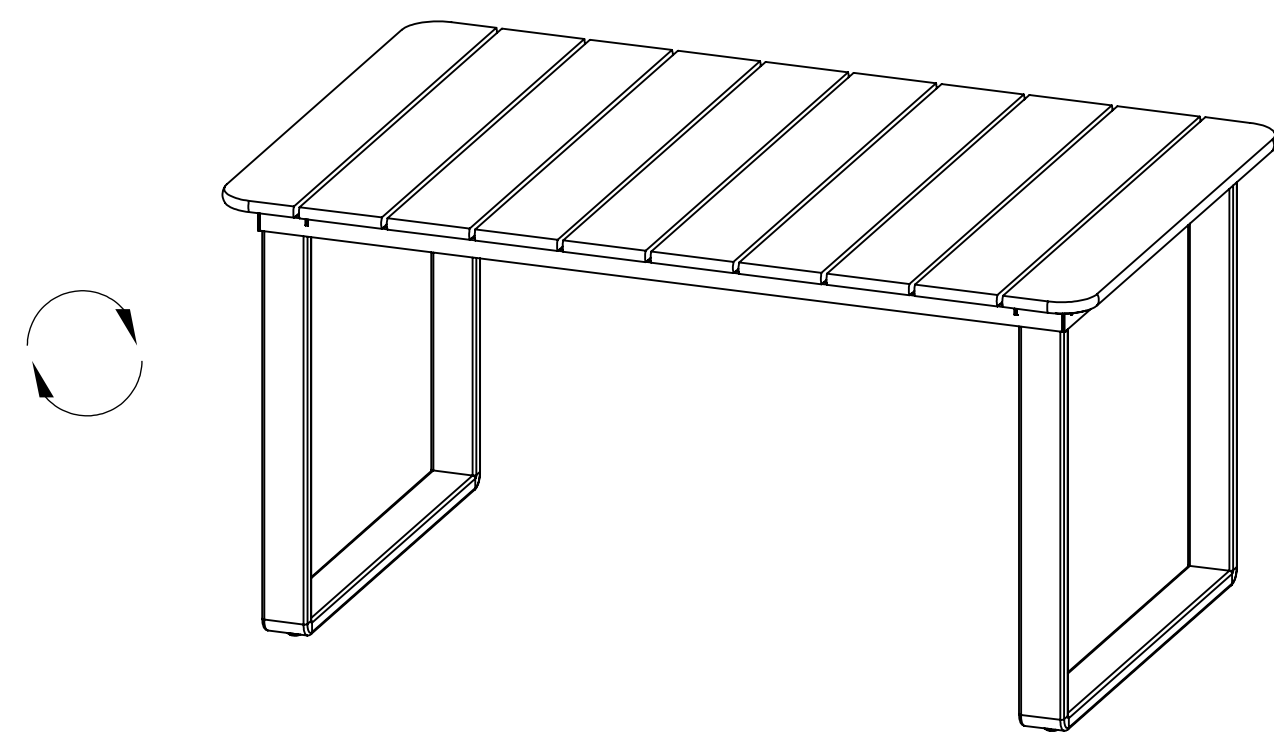
UNLESS OTHERWISE SPECIFIED:
DIMENSIONS ARE IN INCHES/
BRACKETS ARE IN MM.
TOLERANCES:
ANGULAR: ± 1°
ONE PLACE DECIMAL ± 1/16
TWO PLACE DECIMAL ± 1/32
THREE PLACE DECIMAL ± 1/64

PROPRIETARY AND CONFIDENTIAL
THE INFORMATION CONTAINED IN THIS
DRAWING IS THE SOLE PROPERTY OF
GRAND RAPIDS CHAIR CO. ANY
REPRODUCTION IN PART OR AS A
WHOLE WITHOUT THE WRITTEN
PERMISSION OF GRAND RAPIDS CHAIR
CO. IS PROHIBITED.

2.

LAST SAVED: j:\engineering\1. Product Data\2021 Bowen\Table\30 CAD Data\Bowen-Rev\B-01-28-21\1. Communal\1. Top-Level\Assemblies\040031. Assembly Instructions, Bowen, BWC, Dining Height Tables, No Umbrella Rev A 20210729

Revisions				
Rev.	Description	ECN	Date	By
A	RLS for Production	1214	7/29/2021	JWL



3.

<p>UNLESS OTHERWISE SPECIFIED: DIMENSIONS ARE IN INCHES/ BRACKETS ARE IN MM. TOLERANCES: ANGULAR: ± 1° ONE PLACE DECIMAL ± 1/16 TWO PLACE DECIMAL ± 1/32 THREE PLACE DECIMAL ± 1/64</p>		<p>GRAND RAPIDS CHAIR CO 1250 84th Street, Grand Rapids MI, USA</p>	
		<p>DWG By: JWL DWG Date: 6/7/2021</p>	
<p>PROPRIETARY AND CONFIDENTIAL THE INFORMATION CONTAINED IN THIS DRAWING IS THE SOLE PROPERTY OF GRAND RAPIDS CHAIR CO. ANY REPRODUCTION IN PART OR AS A WHOLE WITHOUT THE WRITTEN PERMISSION OF GRAND RAPIDS CHAIR CO. IS PROHIBITED.</p>		<p>Part Number: 040031</p>	
		<p>Description: Assembly Instructions, Bowen, BWC, Dining Height Tables, No Umbrella</p>	
		<p>Material: See Individual Prints</p>	
<p>Finish: See Individual Prints</p>		Type: M	Drawing No.: 040031
		<p>Sheet: Sheet 4 of 4</p>	

LAST SAVED: j:\evngood\Thursday, July 29, 2021 4:30:24 PM; FILENAME: N:\Engineering\1. Product Data\2021 Bowen\Table\30 CAD Data\Bowen-Rev\B-01-28-21\1. Communal\1. Top-Left\Assemblies\040031. Assembly Instructions, Bowen, BWC, Dining Height Tables, No Umbrella Rev A 20210729