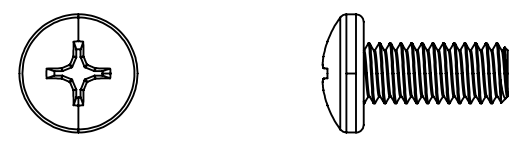
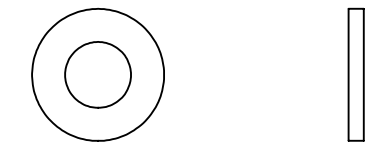
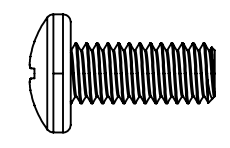


Revisions				
Rev.	Description	ECN	Date	By
A	Shorter slats	1214	8/13/2021	JWL

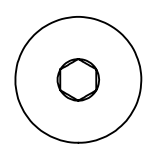
Approved - GRCC Engineering
ajohnson , 8/17/2021, 10:55:18 ar



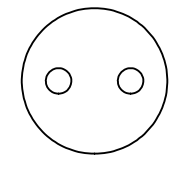
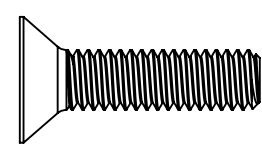
Bolt, 5/16-18 x 5/8", Pan Head, Phillips, Zinc (4x)



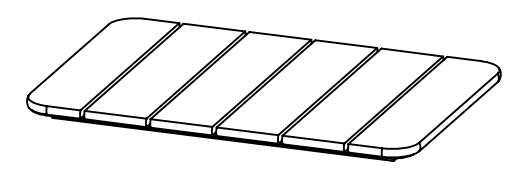
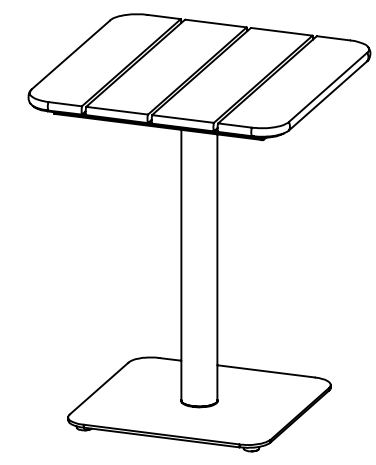
Washer, 0.688" OD, Black (4x)



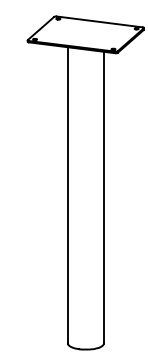
Bolt, 5/16-18 x 1-1/4", Flat Head, Hex, Black (2x)



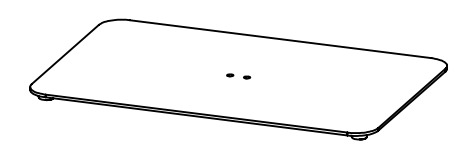
Spacer, 3" Round, White/Natural (1x)



Top Assy, Bowen, BWP (1x)



Column Assy, Bowen, BWP (1x)

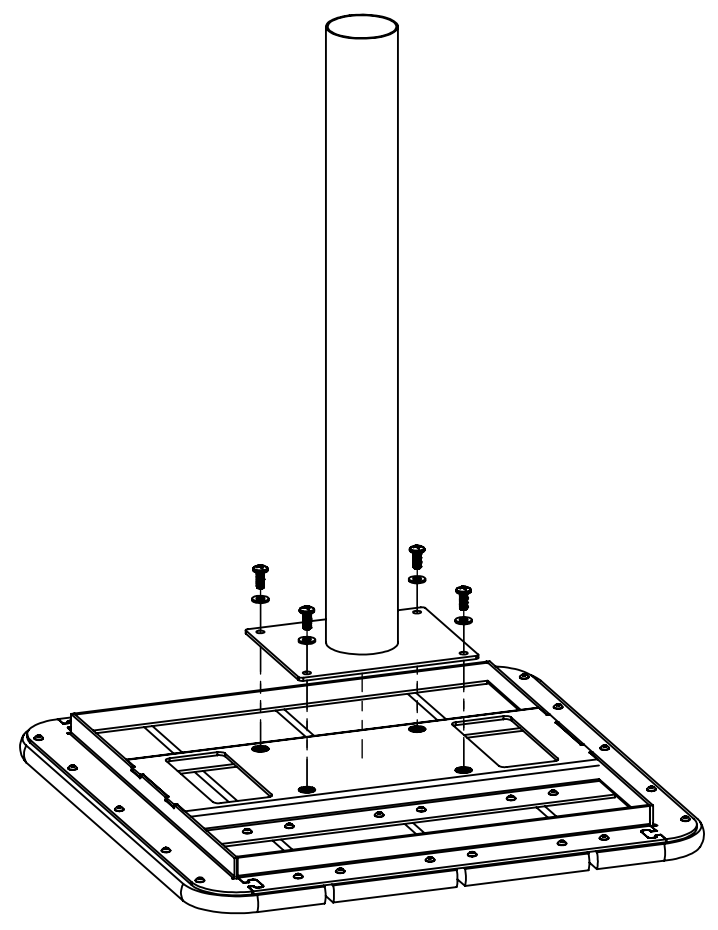
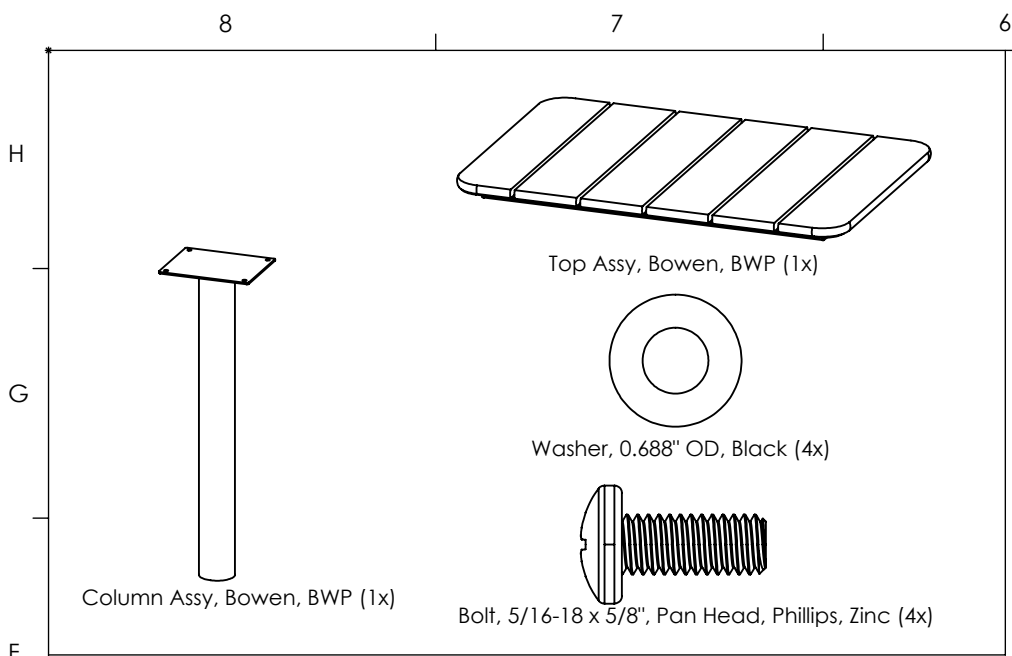


Base Plate Assy, Bowen, BWP (1x)

<p>UNLESS OTHERWISE SPECIFIED: DIMENSIONS ARE IN INCHES/ BRACKETS ARE IN MM. TOLERANCES: ANGULAR: ± 1° ONE PLACE DECIMAL ± 1/16 TWO PLACE DECIMAL ± 1/32 THREE PLACE DECIMAL ± 1/64</p>			<p>GRAND RAPIDS CHAIR CO 1250 84th Street, Grand Rapids MI, USA</p>	
			<p>DWG By: JWL DWG Date: 6/24/2021</p>	
<p>PROPRIETARY AND CONFIDENTIAL THE INFORMATION CONTAINED IN THIS DRAWING IS THE SOLE PROPERTY OF GRAND RAPIDS CHAIR CO. ANY REPRODUCTION IN PART OR AS A WHOLE WITHOUT THE WRITTEN PERMISSION OF GRAND RAPIDS CHAIR CO. IS PROHIBITED.</p>			<p>Part Number: 040048</p>	
			<p>Description: Assembly Instructions, Bowen, BWP, Pedestal Table, Plastic Glides, Round Column</p>	
<p>Type: Drawing No.:</p>			<p>Material: See Individual Prints</p>	
			<p>Finish: See Individual Prints</p>	
<p>M 040048</p>			<p>Sheet 1 of 4</p>	

LAST SAVED: jwengood Friday, August 13, 2021 3:42:07 PM; FILENAME: N:\Engineering\1. Product Data\2021 Bowen\table\3D CAD Data\BWP\04 Triple Assy\040048; Assembly Instructions; Bowen, BWP, Pedestal Table, Plastic Glides, Round Column Rev A 20210813

Revisions				
Rev.	Description	ECN	Date	By
A	Shorter slats	1214	8/13/2021	JWL

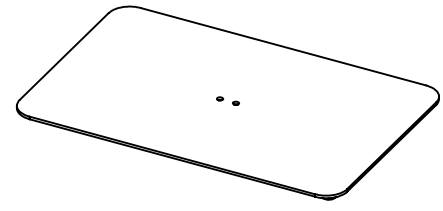
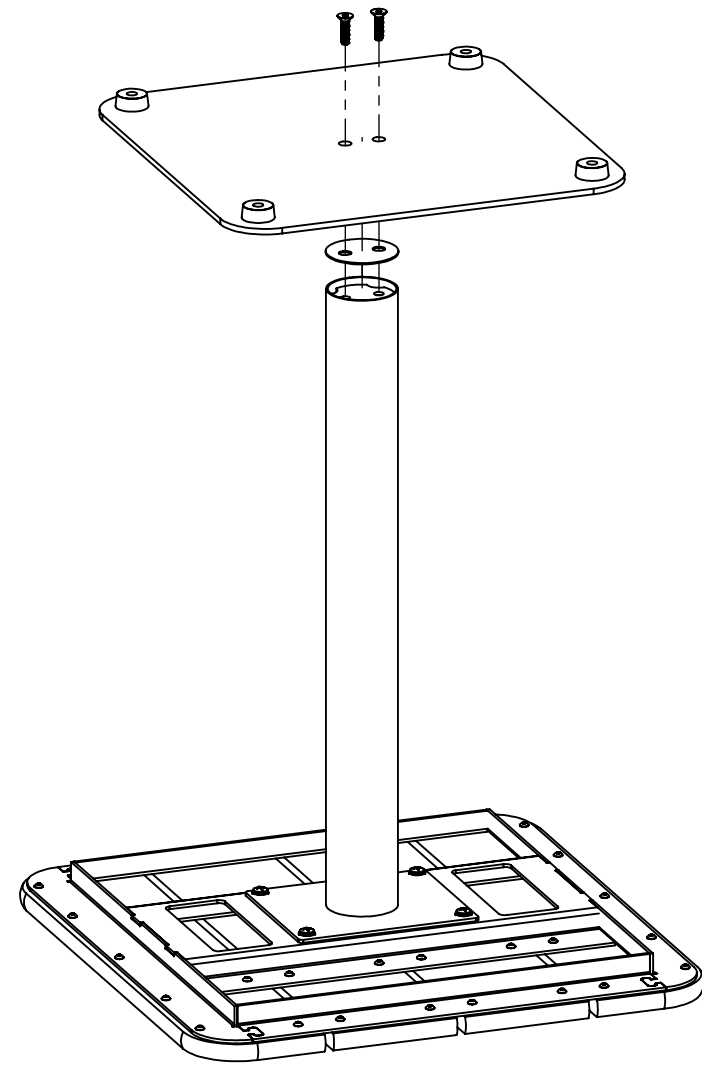


1.

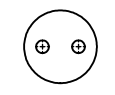
<p>UNLESS OTHERWISE SPECIFIED: DIMENSIONS ARE IN INCHES/ BRACKETS ARE IN MM. TOLERANCES: ANGULAR: ± 1° ONE PLACE DECIMAL ± 1/16 TWO PLACE DECIMAL ± 1/32 THREE PLACE DECIMAL ± 1/64</p>		<p>GRAND RAPIDS CHAIR CO 1250 84th Street, Grand Rapids MI, USA</p>	
		<p>DWG By: JWL</p>	<p>DWG Date: 6/24/2021</p>
<p>PROPRIETARY AND CONFIDENTIAL THE INFORMATION CONTAINED IN THIS DRAWING IS THE SOLE PROPERTY OF GRAND RAPIDS CHAIR CO. ANY REPRODUCTION IN PART OR AS A WHOLE WITHOUT THE WRITTEN PERMISSION OF GRAND RAPIDS CHAIR CO. IS PROHIBITED.</p>		<p>Part Number: 040048</p>	
		<p>Description: Assembly Instructions, Bowen, BWP, Pedestal Table, Plastic Glides, Round Column</p>	
		<p>Material: See Individual Prints</p>	
<p>Finish: See Individual Prints</p>		<p>Type: M</p>	<p>Drawing No.: 040048</p>
<p>Sheet 2 of 4</p>		<p>Sheet 2 of 4</p>	

LAST SAVED: javengood Friday, August 13, 2021 3:42:07 PM; FILENAME: N:\Engineering\1. Product Data\2021 Bowen\table\3D CAD Data\BWP\04 BWP Assy\040048; Assembly Instructions; Bowen, BWP, Pedestal Table, Plastic Glides, Round Column Rev. A 20210813

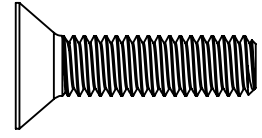
Revisions				
Rev.	Description	ECN	Date	By
A	Shorter slats	1214	8/13/2021	JWL



Base Plate Assy, Bowen, BWP (1x)



Spacer, 3" Round, White/Natural (1x)



Bolt, 5/16-18 x 1-1/4", Flat Head, Hex, Black (2x)

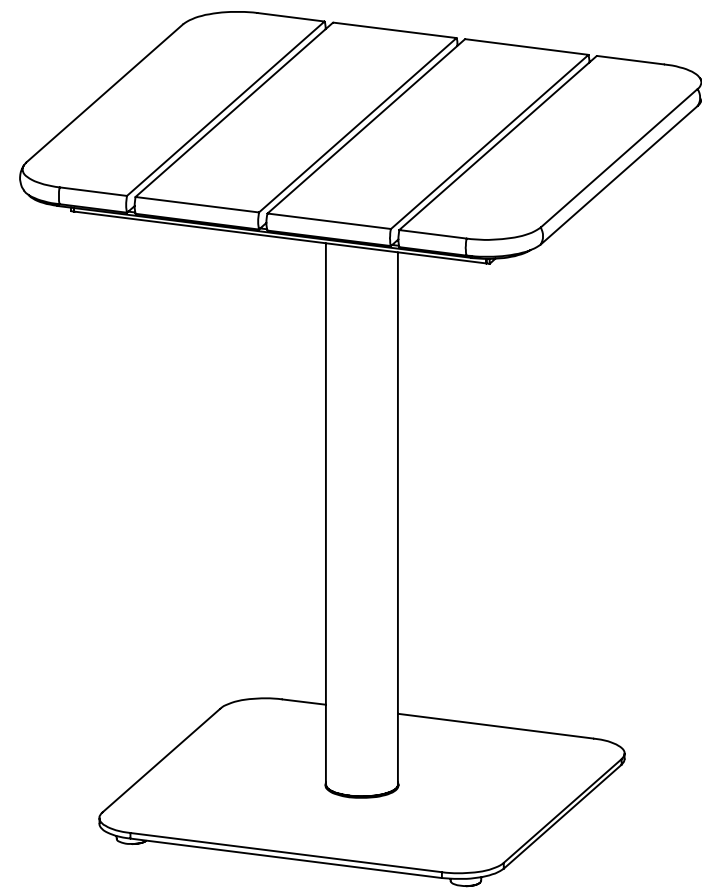
2.

GRAND RAPIDS CHAIR CO
1250 84th Street, Grand Rapids MI, USA

<p>UNLESS OTHERWISE SPECIFIED: DIMENSIONS ARE IN INCHES/ BRACKETS ARE IN MM. TOLERANCES: ANGULAR: ± 1° ONE PLACE DECIMAL ± 1/16 TWO PLACE DECIMAL ± 1/32 THREE PLACE DECIMAL ± 1/64</p> <p>PROPRIETARY AND CONFIDENTIAL THE INFORMATION CONTAINED IN THIS DRAWING IS THE SOLE PROPERTY OF GRAND RAPIDS CHAIR CO. ANY REPRODUCTION IN PART OR AS A WHOLE WITHOUT THE WRITTEN PERMISSION OF GRAND RAPIDS CHAIR CO. IS PROHIBITED.</p>	DWG By: JWL	DWG Date: 6/24/2021
	Part Number: 040048	
	Description: Assembly Instructions, Bowen, BWP, Pedestal Table, Plastic Glides, Round Column	
	Material: See Individual Prints	
Finish: See Individual Prints		Type: Drawing No.:
M 040048		Sheet 3 of 4

LAST SAVED: javengood Friday, August 13, 2021 3:42:07 PM; FILENAME: N:\Engineering\1. Product Data\2021 Bowen\table\3D CAD Data\Data\BWP\04 Triple Assy\040048; Assembly Instructions; Bowen, BWP, Pedestal Table, Plastic Glides, Round Column Rev. A 20210813

Revisions				
Rev.	Description	ECN	Date	By
A	Shorter slats	1214	8/13/2021	JWL



3.

<p>UNLESS OTHERWISE SPECIFIED: DIMENSIONS ARE IN INCHES/ BRACKETS ARE IN MM. TOLERANCES: ANGULAR: ± 1° ONE PLACE DECIMAL ± 1/16 TWO PLACE DECIMAL ± 1/32 THREE PLACE DECIMAL ± 1/64</p>		<p>GRAND RAPIDS CHAIR CO 1250 84th Street, Grand Rapids MI, USA</p>	
		<p>DWG By: JWL DWG Date: 6/24/2021</p>	
<p>PROPRIETARY AND CONFIDENTIAL THE INFORMATION CONTAINED IN THIS DRAWING IS THE SOLE PROPERTY OF GRAND RAPIDS CHAIR CO. ANY REPRODUCTION IN PART OR AS A WHOLE WITHOUT THE WRITTEN PERMISSION OF GRAND RAPIDS CHAIR CO. IS PROHIBITED.</p>		<p>Part Number: 040048</p>	
		<p>Description: Assembly Instructions, Bowen, BWP, Pedestal Table, Plastic Glides, Round Column</p>	
		<p>Material: See Individual Prints</p>	
<p>Finish: See Individual Prints</p>		Type: M	Drawing No.: 040048
		<p>Sheet: Sheet 4 of 4</p>	

LAST SAVED: j:\evngood\Friday, August 13, 2021 3:42:07 PM: FILENAME: N:\Engineering\1. Product Data\2021 Bowen\table\3D CAD Data\BWP\04 Triple Assy\040048.Assembly Instructions\Bowen, BWP, Pedestal Table, Plastic Glides, Round Column Rev. A.20210813